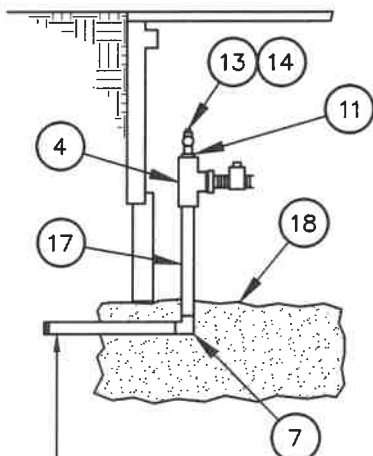


List of Materials

Item	Descriptions
1	See Standard Drawing 412 for service line installation
2	2" compact RFM meter (cubic feet register). May be purchased from the City (See Section 4-12)
3	2" x 2" Brass flange M-IPT x oval flange, with slotted holes, Ford CF38-77-1.937, Jones J-129-M, McDonald 610M 2"x1 15/16.
4	2" Brass tee, F-IPT.
5	2" Brass union, F-IPT.
6	2" NIBCO class 125 bronze check T-413-B (Buna-N) (W) disc.
7	2" - 90 Degree Brass elbow, IPT.
8	2" Close brass nipple, IPT.
9	2" x 3"L Brass nipple, IPT.
10	1" x 3"L Brass nipple, IPT.
11	2" x 1" Brass reducing bushing, M-IPT x F-IPT.
12	1" - 90 Degree Brass elbow, IPT.
13	1" Ball valve brass with locking ears, Ford B81-444-WR M-IPT x F-IPT, McDonald 6117W M-IPT x F-IPT, Jones J-1900W and Mueller B-20200-3 F-IPT x F-IPT w/ close brass nipple.
14	1" Brass plug, IPT.
15	Valve handle, 3 1/4" brass, Ford HB-34S, Jones J-2815, McDonald 6120B 1", Mueller B-20298-99000.
16	2" Ball valve brass with locking ears, Ford B81-777-WR M-IPT x F-IPT, McDonald 6117W M-IPT x F-IPT, Jones J-1900W and Mueller B-20200-3 F-IPT x F-IPT w/ close brass nipple.
17	2" x 12"L Brass nipple, IPT.
18	1/2" crushed rock, 8" minimum base.



Both domestic and fire exit under box.

Section A-A

<p>REVISED</p> <p>DATE <u>01-19-22_BW</u></p> <p><u>03-24-22_BW</u></p>	<p>CITY OF NORCO</p> <p>PUBLIC WORKS DEPARTMENT - WATER UTILITY</p> <p>2" RESIDENTIAL FIRE/DOMESTIC SERVICE INSTALLATION</p>	<p>DRAWN <u>SJN</u></p> <p>DATE <u>12-6-16</u></p>
<p>APPROVED</p> <p>_____ DIRECTOR OF PUBLIC WORKS</p>	<p>DATE <u>3/30/22</u></p>	<p>STD. NO.</p> <p>413</p> <p>1 of 2</p>

Notes:

1. See other sections of these Specifications for related requirements, or Special Provision if applicable.
2. The water service shall extend perpendicular to street center line except in cul-de-sacs, and the tap shall be at least 24" from any adjacent joint or service.
3. Flange gaskets shall be full face or drop-in 1/8" thick cloth inserted rubber.
4. All bolts and nuts to have electrodeposited coatings of zinc. Bolts must be 5/8" x 3"L.
5. Meter (cubic feet register) to be set for curbside reading. To be provided by the City (See Section 4-12)
6. Domestic service line from meter to house shall be sized to Plumbing Code requirements. Fire sprinkler service line sizing shall be approved by Fire Marshal.
7. Meter box requirements:

Meter box cover to be flush with finished grade when in concrete, and 1/2" above grade in landscaped areas.

Do not notch out meter box or extension. Customer side plumbing shall exit under bottom of meter box or extension.

Meter boxes shall be a minimum 6" clear from adjacent meter boxes, top of "x" of driveway approaches, and sidewalk access ramps.

8. Meter boxes and vaults shall be constructed of straight wall polymer concrete. Where required, meter boxes shall have traffic loaded rating covers. All covers that are exposed to foot traffic shall have a slip resistance surface that meets the American with Disabilities Act's slip resistance requirements. Contractor is responsible for selecting a meter box or vault that is sized appropriately to accommodate all required water materials specified in Standard Drawings. The meter lid must include a properly sized cut-out to fit a Sensus Model 520M radio transceiver. Contractor is required to submit said meter box or vault to the City for review and approval prior to installation.

Approved Manufacturer
 Armorcast Products Company
 DFW Plastics, Inc.

9. See Section 4-12 for meter requirements. Prior to installation the contractor is required to submit the proposed meter to the City of Norco for review and approval. Meters can be purchased from the City per the City's fee schedule.

<p>REVISED</p> <p>DATE <u>01-19-22 BW</u></p> <p><u>03-24-22 BW</u></p> <p>_____</p> <p>_____</p> <p>_____</p>	<p>CITY OF NORCO</p> <p>PUBLIC WORKS DEPARTMENT – WATER UTILITY</p> <p>2" RESIDENTIAL FIRE/DOMESTIC SERVICE INSTALLATION</p>	<p>DRAWN <u>SJN</u></p> <p>DATE <u>12-6-16</u></p>
	<p>APPROVED _____</p> <p>DIRECTOR OF PUBLIC WORKS</p>	<p>STD. NO.</p> <p style="font-size: 2em;">413</p> <p>2 of 2</p>
	<p>DATE <u>3/30/22</u></p>	